



Miniature Circuit Breaker



RP
SERIES
CE



Breaker & switchgears overseas Sales dept.
<http://circuit-breaker.seec.com.tw>



Headquarters
<http://www.seec.com.tw>

Miniature Circuit Breaker (MCB)

RPC Series



Feature:

- Overload & instantaneous protection
- Comply with IEC 60898-1 & IEC60947-2
- Window display for ON/OFF status
- Din-rail TH35mm tool free installation

Ordering Code

ORPC	Pole		In		Instantaneous Curve		Breaking Capacity		Standard	
	1P	1P	1A	001	B-Type	B	6kA	C	IEC60898	A
	2P	2P	2A	002	C-Type	C	10kA	H	IEC60947-2	B
	3P	3P	3A	003	D-Type	D				
	4P	4P	4A	004						
			5A	005						
			6A	006						
			10A	010						
			16A	016						
			20A	020						
			25A	025						
			32A	032						
			40A	040						
			50A	050						
			63A	063						

Ex. ORPC1P010BCA
RPC 1P B10 6kA IEC60898

Specification

Model	RPC	RPC-H
Frame size	63AF	
Rated current (A)	1, 2, 3, 4, 5, 6, 10, 16, 20, 25, 32, 40, 50, 63A	
Tripping characteristics	B(3~5In), C(5~10In), D(10~20In) Type	
Poles	1, 2, 3, 4P	
Ui	500V	
Uimp	6kV	
Ue (AC)	1P(2~4P) 240/415V (415V)	
Breaking Capacity (AC)	IEC60898-1: Icn 6kA IEC60947-2: Icu 6kA Ics=75%Icu	IEC60898-1: Icn 10kA IEC60947-2: Icu 10kA Ics=75%Icu
Trip Unit	Thermal magnetic	
Mechanical life	20,000 operations	
Protection	Overload, Instantaneous	
Standard	IEC60898-1, IEC60947-2	

Residual-Current Circuit Breaker (RCCB)

RPV Series



Feature:

- Leakage protection
- Comply with IEC61008-1
- Window display for ON/OFF status and leakage indicator
- Leakage test bottom
- Din-rail TH35mm tool free installation

Ordering Code

ORPV	Pole		In		Breaking Capacity		Residual Current Type		Rated residual current	
	1P+N (L)	N1	16A	016	6kA	C	A	A	10mA	10
	3P+N (L)	N3	20A	020	10kA	H	AC	C	15mA	15
	1P+N (R)	1N	25A	025					30mA	30
	3P+N (R)	3N	32A	032					100mA	01
			40A	040					300mA	03
			63A	063						

Ex. ORPVN3025CA15

RPV 3P+N(L) 25A 6kA A-Type 15mA

Specification

Model	RPV	
Frame size	63AF	
Rated current	16, 20, 25, 32, 40, 63A	
Tripping characteristics	-	
Poles	1P+N, 3P+N	
Ui	500V	
Uimp	4kV	
Ue (AC)	2P	240V
	4P	415V
Residual current off time	≤0.1 sec.	
Rated conditional short-circuit current (Inc)	6kA / 10kA	
Trip Unit	Electro-magnetic	
Rated residual current	Operation I Δ n	10, 15, 30, 100, 300mA (63A does not have 10, 15mA)
	Non-operation I Δ n	0.5I Δ n
Mechanical life	10,000 operations	
Protection	Leakage	
Standard	IEC61008-1	

Residual Current Circuit Breaker with Overcurrent Protection (RCBO)

RPL Series



Feature:

- Overload, instantaneous & Leakage protection
- Comply with IEC 61009-1
- Window display for leakage indicator
- Leakage test bottom
- Din-rail TH35mm tool free installation

Ordering Code

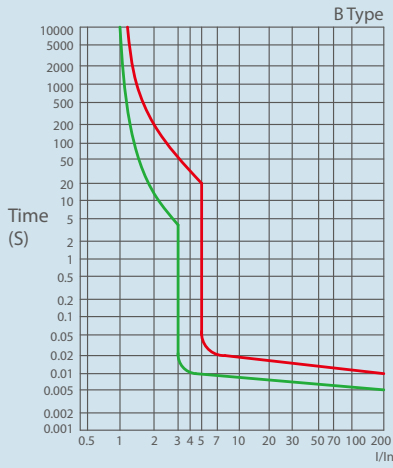
ORPL	Pole		In		Instantaneous Curve		Breaking Capacity		Residual Current Type		Rated residual current	
		1P+N	N1	6A	006	C-Type	C	6kA	C	A	A	10mA
			10A	010	D-Type	D			AC	C	15mA	15
			16A	016							30mA	30
			20A	020							100mA	01
			25A	025							300mA	03
			32A	032								
			40A	040								
			50A	050								
			63A	063								

Ex. ORPLN1010CCC01
RPL 1P+N C10 6kA AC-type 100mA

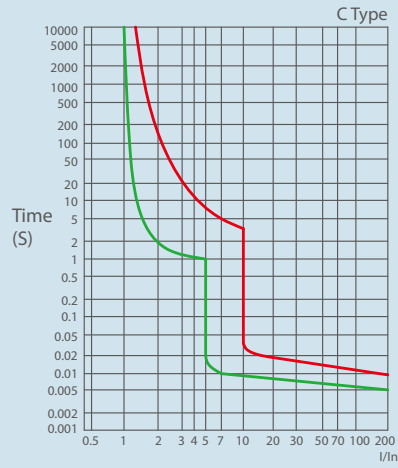
Specification

Model		RPL
Frame size		63AF
Rated current		6, 10, 16, 20, 25, 32, 40, 50, 63A
Tripping characteristics		C(5~10In), D(10~20In) Type
Poles		1P+N
Ui		500V
Uimp		4kV
Ue (AC)	1P+N	240V
Residual current off time		≤ 0.1 sec.
Breaking capacity (Icn)		6kA
Trip Unit		Electronic
Rated residual current	Operation I Δ n	10, 15, 30, 100, 300mA
	Non-operation I Δ n	0.5I Δ n
Mechanical life		10,000
Protection		Overload, Instantaneous, Leakage
Standard		IEC61009-1

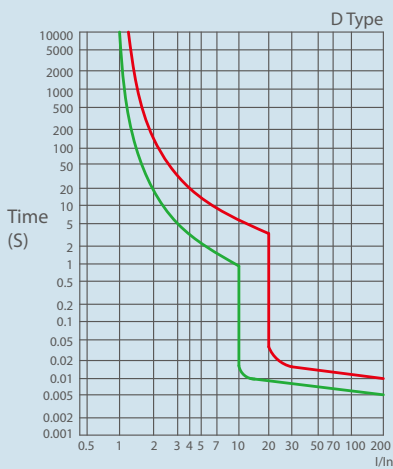
Characteristics Curve (MCB)



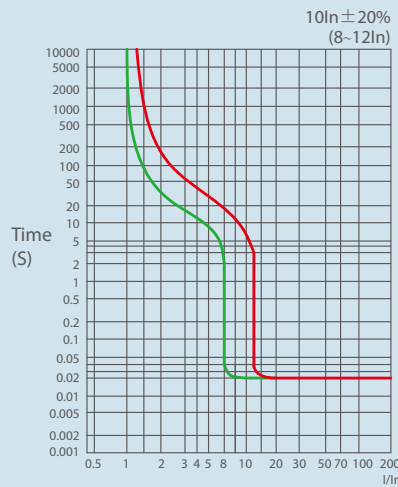
IEC60898



IEC60898

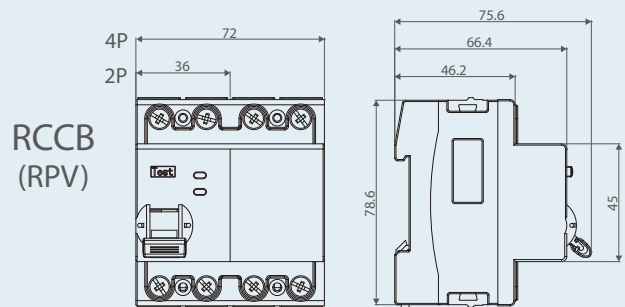
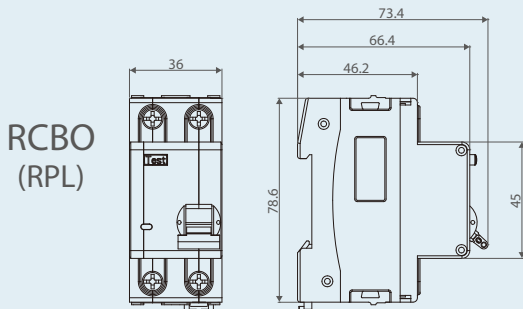
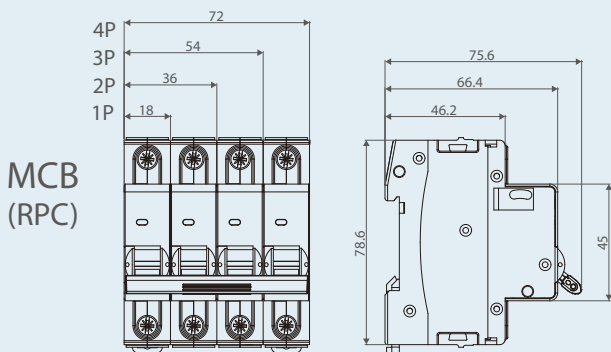



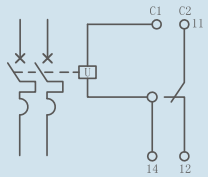
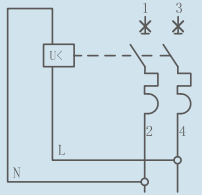
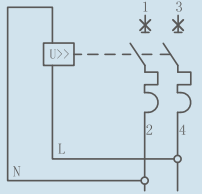
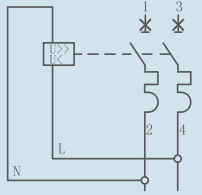
IEC60898



IEC60947-2

Dimension (mm)



Item	Model	Operating Characteristic	Width (mm)	Wiring Diagram
Auxiliary Switch (AX)	RX	AC415V 3A DC125V 1A	9	
Alarm Switch (AL)	RL	AC415V 3A DC125V 1A	9	
Shunt Trip (SHT)	RSX1	AC110~220 3A	18	
	RSX2	AC220~415 3A		
	RSX3	DC12~24 3A		
	RSX4	DC24~48 3A		
Under Voltage Trip (UVT)	RU	AC230V $U < 170V \pm 5\%$	18	
Over Voltage Trip (OVT)	RO	AC230V $U > 280V \pm 5\%$	18	
Over-under Voltage Trip (OUVT)	ROU	AC230V $U < AC170V \pm 5\%$ $U > AC280V \pm 5\%$	18	

- Note: 1. Those accessories are suitable only for RPC 63AF product.
2. All accessories are installed on the left.
3. AX and AL can be installed up to 4 units at once.

Distributor

B220610E.RPS-MCB.3F

Breaker & switchgears overseas sales dept.

3F, No.9, Sec. 1, Chang-an E. Rd., Zhongshan Dist., Taipei City 10441, Taiwan
T. +886-2-2541-9822 F. +886-2-2581-2665
e-mail. b.export@seec.com.tw
<http://circuit-breaker.seec.com.tw>

Headquarters

16F, No.88, Sec. 6, Zhongshan N. Rd., Shilin Dist., Taipei City 11155, Taiwan
T. +886-2-2834-2662 F. +886-2-2836-6187
<http://www.seec.com.tw>